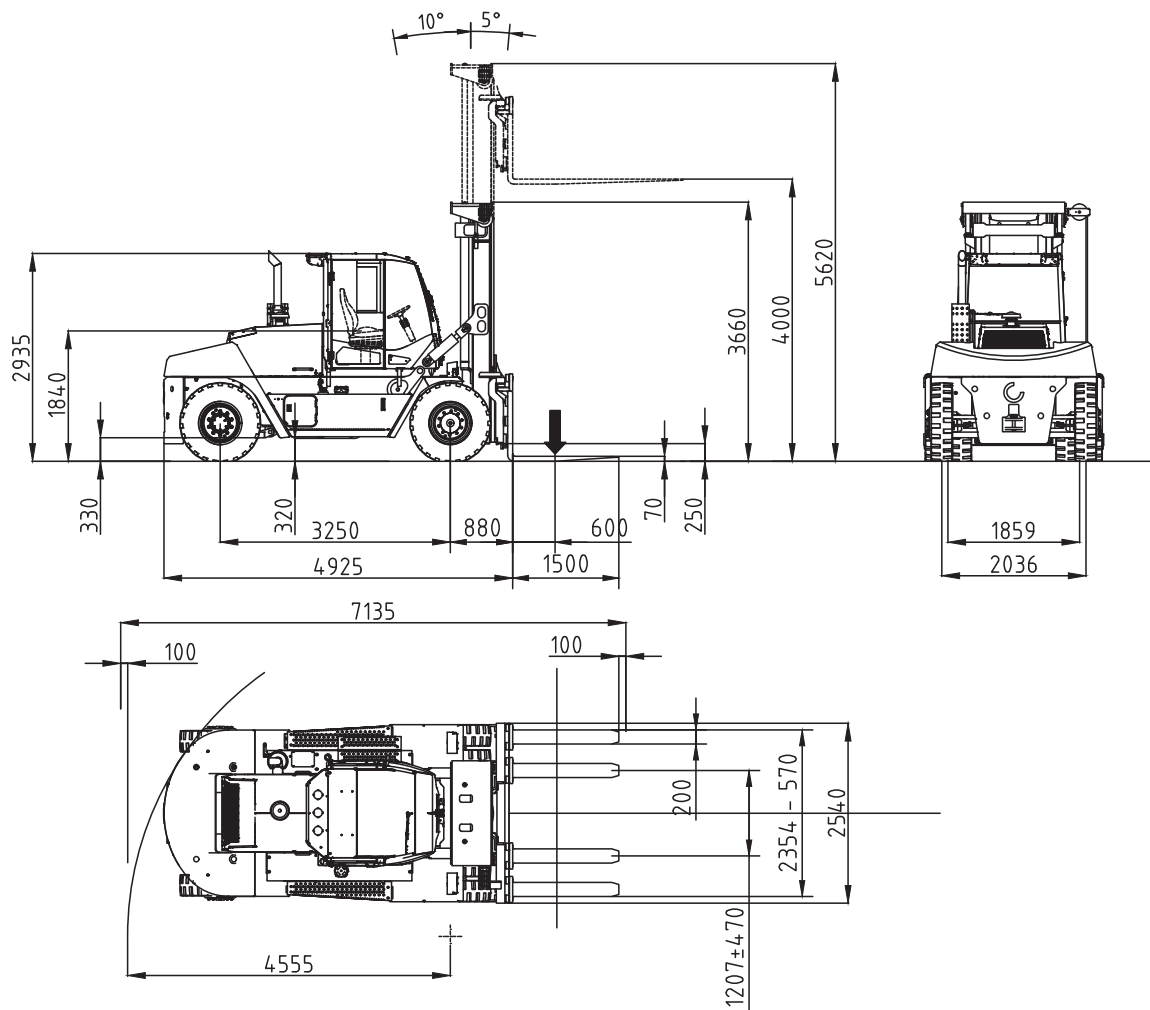


## TECHNICAL DATA : LIFTACE F 15-600C

Machine type		F 15-600C
<b>LOAD HANDLING DATA</b>		
Lifting capacity / Load center	kg / mm	15 000 / 600
Maximum lifting speed, unloaded / at 70% of rated load	m/s	0,33 / 0,31
Maximum lowering speed, unloaded / at rated load	m/s	0,45 / 0,58
<b>DRIVING DATA</b>		
Drive speed forward, unloaded / at rated load	km/h	28 / 26
Drive speed reverse, unloaded / at rated load	km/h	28 / 26
Incline (driving ability) at rated load at 0 km/h/at 2 km/h	%	30 / 26
Towing (power ability) at rated load at 0 km/h/at 2 km/h	kN	97 / 85
<b>SERVICE WEIGHT / AXLE LOADS</b>		
Service weight	kg	16 900
Axle load front, unloaded / at rated load	kg	8 000 / 29 850
Axle load rear, unloaded / at rated load	kg	8 900 / 2 050
<b>ENGINE</b>		
Engine make, model name		Cummins QSB 4.5
Emission approval EU / US		Stage IIIA / Tier 3
Monitoring / emission controlled / CanBus		Yes / yes / yes
Fuel / type of engine		Diesel / 4-stroke CI
Rated power ISO 3046 / max speed	kW / rpm	119 / 2 200
Rated torque ISO 3046 / at speed	Nm / rpm	624 / 1 500
Displacement / No. of cylinders / configuration	L / /	4.5 / 4 / Inline
Fuel consumption, normal operations	L/h	5-7
Alternator, type / power / amperage	W / Amp	AC / 1 960 / 70
Starting battery, voltage / capacity	V / Ah	2 x 12 / 100
<b>TRANSMISSION</b>		
Transmission make, model name		DANA TE-10
Monitoring / reverse protection / CanBus		Yes / yes / yes
Clutch, type		Torque converter
Transmission type / type of shift gear		Softshift – Powershift / Automatic
No. of gears, forward / reverse		3/3
<b>DRIVE AXLE &amp; STEER SYSTEM</b>		
Drive axle make, model name		Kessler D81
Drive axle type		Differential + hub reduction
Service brake, type / affected wheels		Oil cooled Wet Disc Brakes / drive wheels
Parking brake, type / affected wheels		Dry disc brake / spring applied / drive wheels
<b>STEER AXLE &amp; STEER SYSTEM</b>		
Steer axle make / type		Konecranes / double acting single cylinder
Steering system		Hydraulic servo assisted / power steering
<b>WHEELS</b>		
Number of wheels, front+rear / Type (*driven)		4*+2 / pneumatic
Tire pressure front / rear	MPa	1,0 / 1,0
Tire dimensions (Ply rating) front / rear	Inch (No)	12.00 x 20" (PR 20) / 12.00 x 20" (PR 20)
Rim dimension front / rear	Inch	8.00 x 20" / 8.00 x 20"
<b>HYDRAULIC SYSTEM</b>		
Hydraulic pump make, model name		Parker P2-series
Hydraulic system / pump type		Load sensing system / variable axial piston pump
Power-on-demand / Low energy		Yes / yes
Hydraulic oil pressure mast	MPa	24,0
<b>TANK VOLUMES</b>		
Fuel tank volume	L	144
Hydraulic tank volume	L	155
<b>LIFTING EQUIPMENT</b>		
Lift mast model / mast type / design		Konecranes duplex standard / 2-stage / free visibility
Carriage make / model		Konecranes / Hydraulic integral roller type
Fork make / Model		Konecranes / Roller type
<b>OTHERS</b>		
Noise level (inside Cab / Lm), DIN 45635	dB(A)	65
Noise level (inside Cab/ LpAZ), EN 12053 (EU + EFTA only)	dB(A)	73
Maximum noise level (outside Lwa), 2000/14/EC (EU + EFTA only)	LWA	105
<b>NORMS &amp; STANDARDS</b>		
Stability of Industrial Trucks ISO 22915-2		Yes
Safety of Industrial Trucks EN ISO 3691-1		Yes

## TECHNICAL DATA : LIFTACE F 15-600C



F 15-600C

