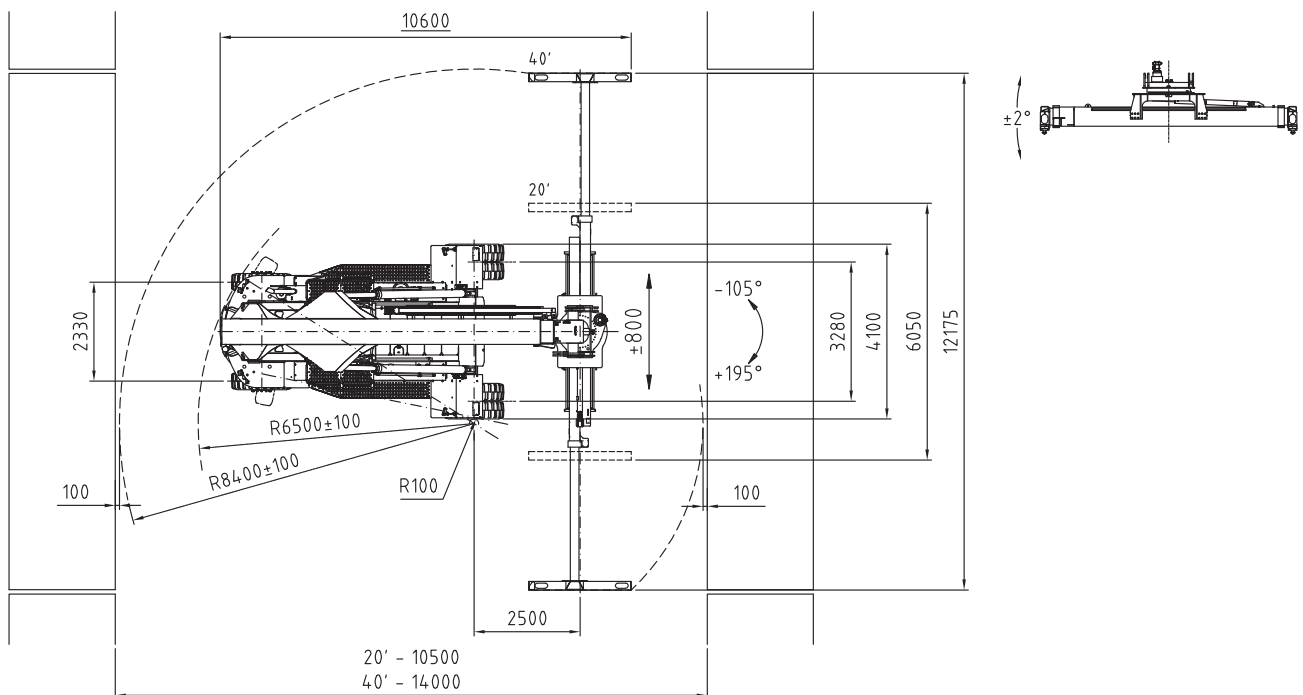
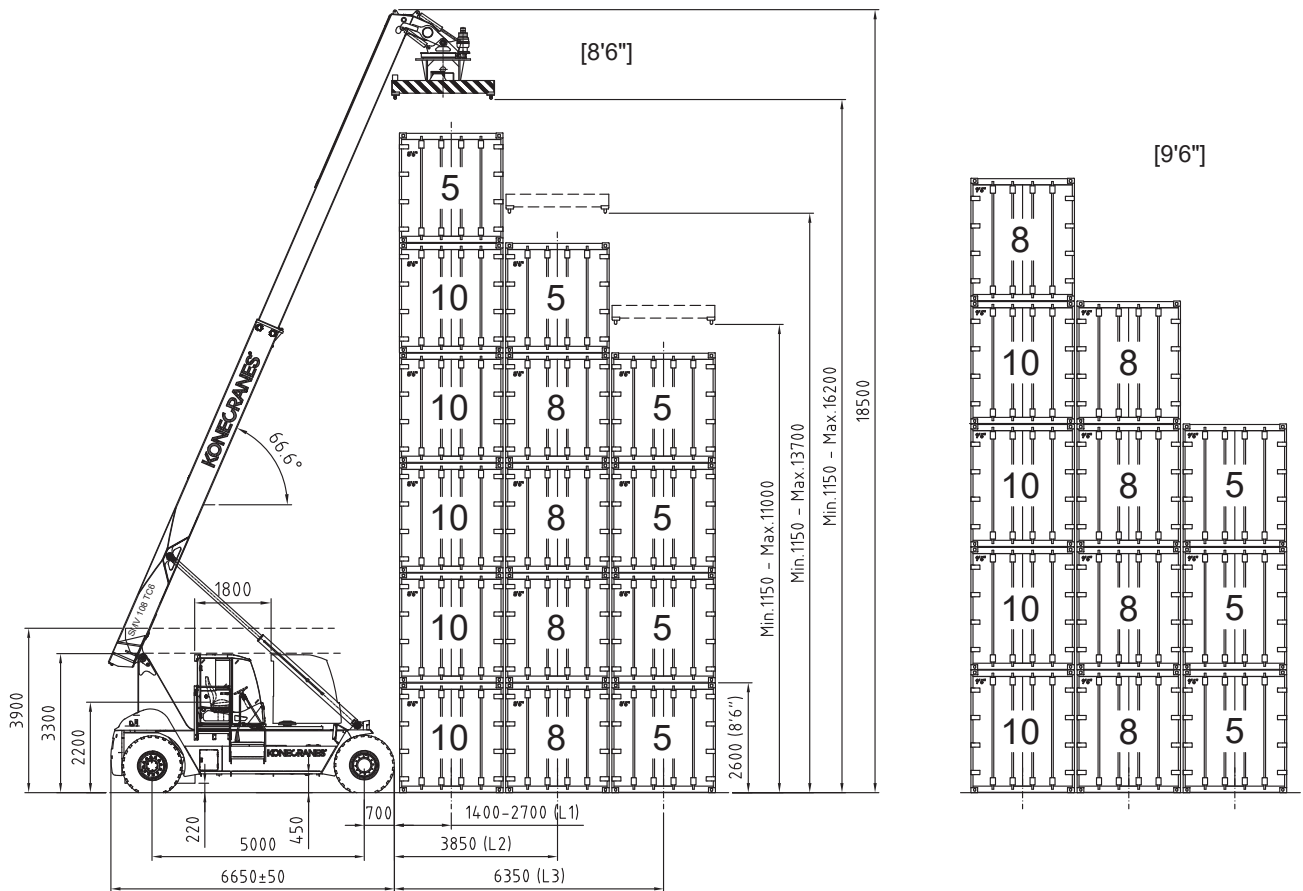


TECHNICAL DATA : SMV 108 TC6

Machine type		SMV 108 TC6
LOAD HANDLING DATA		
Lifting capacity (LC1 /LC2 /LC3)	kg	10 000 / 8 000 / 5 000
Lifting capacity (LC1 /LC2 /LC3) at max lifting height	kg	5 000 / 5 000 / 5 000
Load center (LC1 /LC2 /LC3)	mm	2 700 / 3 850 / 6 350
Lifting speed, unloaded / at 40% of rated load / at 70% of rated load	m/s	0,55 / 0,53 / 0,4
Lowering speed, unloaded / at rated load	m/s	0,45 / 0,45
DRIVING DATA		
Drive speed forward, unloaded / at rated load	km/h	30 / 30
Drive speed reverse, unloaded / at rated load	km/h	30 / 30
Incline (driving ability) at rated load at 0 km/h / at 2 km/h	%	30 / 24
Towing (power ability) at rated load at 0 km/h / at 2 km/h	kN	151 / 123
SERVICE WEIGHT / AXLE LOADS		
Service weight	kg	39 500
Axle loads front LC1, unloaded / at rated load	kg	21 800 / 38 600
Axle loads front LC2, unloaded / at rated load	kg	23 600 / 38 900
Axle loads front LC3, unloaded / at rated load	kg	27 600 / 39 600
Axle loads rear LC1, unloaded / at rated load	kg	17 700 / 10 900
Axle loads rear LC2, unloaded / at rated load	kg	15 900 / 8 600
Axle loads rear LC3, unloaded / at rated load	kg	11 900 / 4 900
Axle loads in driving position, front/rear (at rated load)	kg	35 400 / 14 100
ENGINE		
Engine make, model name		Cummins QSB 6.7
Emission approval EU / US		Stage III / Tier 3
Monitoring / emission controlled / CanBus		Yes / yes / yes
Fuel / type of engine		Diesel / 4-stroke CI
Rated power ISO 3046 / max speed	kW / rpm	179 / 2 000
Rated torque ISO 3046 / at speed	Nm / rpm	987 / 1 500
Displacement / No. of cylinders / configuration	L //	6,7 / 6 / Inline
Fuel consumption, normal operations	L/h	10 - 12
Alternator, type / power / amperage	W / Amp	AC / 1 960 / 70
Starting battery, voltage / capacity	V / Ah	2 x 12 / 140
TRANSMISSION		
Transmission make, model name		DANA TE-17
Monitoring / reverse protection / CanBus		Yes / yes / yes
Clutch, type		Torque converter
Transmission type / type of shift gear		Softshift – Powershift / Automatic
No. of gears, forward / reverse		3/3
DRIVE AXLE & STEER SYSTEM		
Drive axle make, model name		Kessler D81
Drive axle type		Differential + hub reduction
Service brake, type / affected wheels		Oil cooled Wet Disc Brakes / drive wheels
Parking brake, type / affected wheels		Dry disc brake / spring applied / drive wheels
STEER AXLE & STEER SYSTEM		
Steer axle make / type		Konecranes / double acting single cylinder
Steering system		Hydraulic servo assisted / power steering
WHEELS		
Number of wheels, front+rear / Type (*driven)		4*+2 / pneumatic
Tire pressure front / rear	MPa	1,0 / 1,0
Tire dimensions (Ply rating) front / rear	Inch (No)	14.00 x 24" (PR 28) / 14.00 x 24" (PR 28)
Rim dimension front / rear	Inch	10.00 x 24" / HD / 10.00 x 24" / HD
HYDRAULIC SYSTEM		
Hydraulic pump make, model name		Parker P2-series
Hydraulic system / pump type		Load sensing system / variable axial piston pump
Power-on-demand / Low energy / Separate tanks		Yes / yes / no
Hydraulic oil pressure boom / spreader	MPa	24 / 15
TANK VOLUMES		
Fuel tank volume	L	430
Hydraulic tank volume	L	600
LIFTING EQUIPMENT & SPREADER		
Spreader make / type		ELME 517-MPS / Toplift (container)
Spreader functions		20-40 ft containers
Spreader locking containers + trailer / lifting eyes		4 x top twist locks / -
Sideshift stroke / rotation / pile slope type (pile slope stroke)		±800 mm / +195 - 105 manual MPS (±2 deg)
OTHERS		
Noise level (inside Cab / Lm), DIN 45635	dB(A)	67
Noise level (inside Cab/ LpAZ), EN 12053 (EU + EFTA only)	dB(A)	73
Maximum Noise level (outside Lwa), 2000/14/EC (EU + EFTA only)	LWA	107
Sliding cabin / stroke		Manual / 1 800 mm
NORMS & STANDARDS		
Stability of Industrial Trucks ISO 13562		Yes
Safety of Industrial Trucks EN ISO 3691-2		Yes

TECHNICAL DATA : SMV 108 TC6



180101/ 1