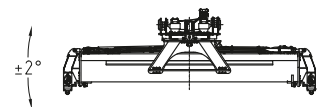
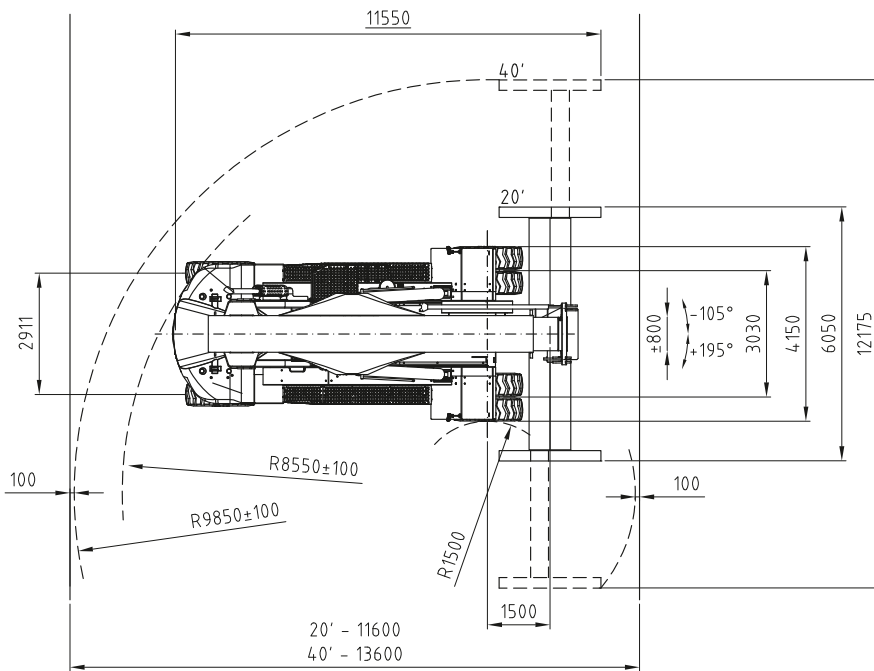
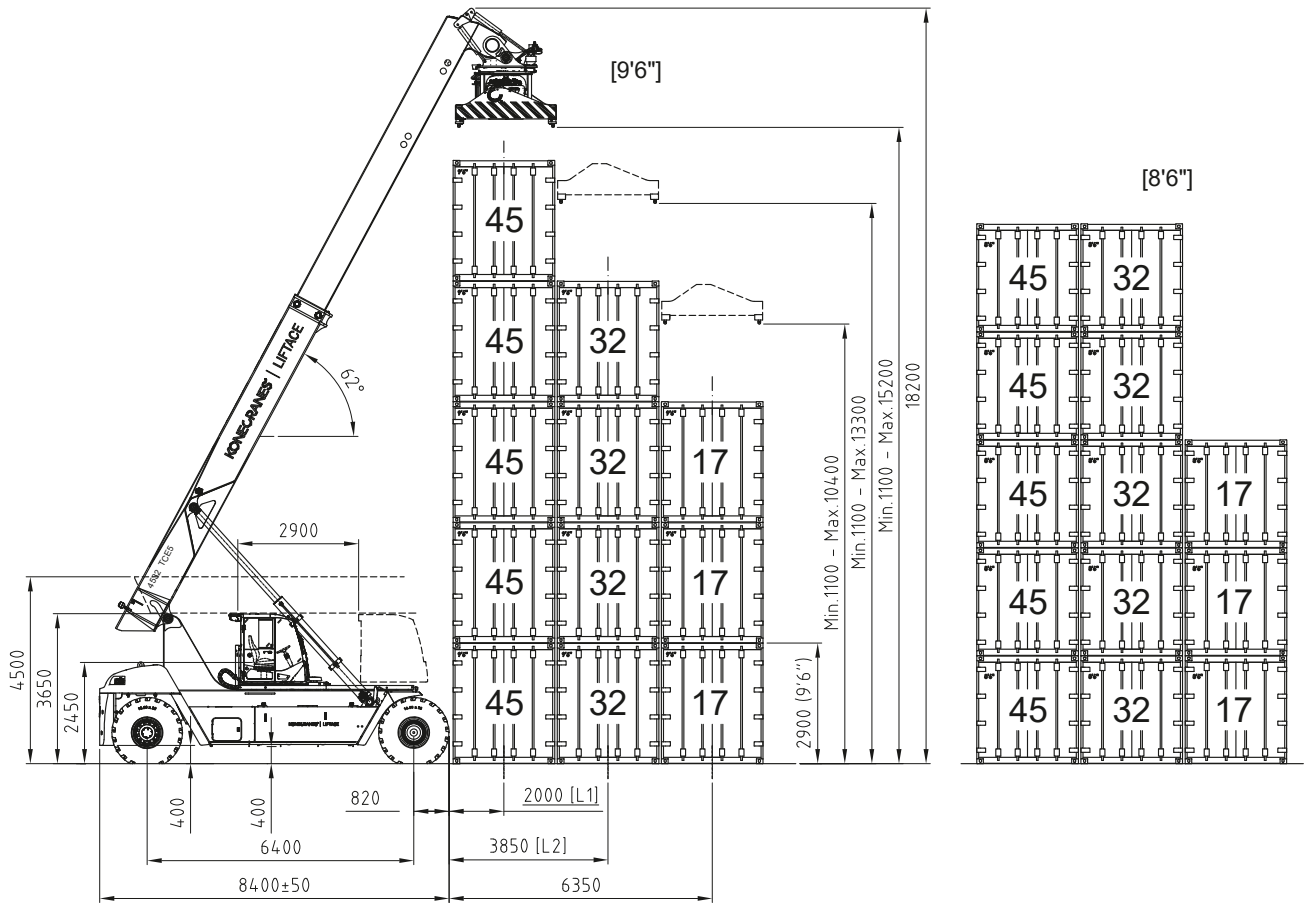


TECHNICAL DATA : LIFTACE 4532 TCE5

Machine type		LIFTACE 4532 TCE5
LOAD HANDLING DATA		
Lifting capacity (LC1 /LC2 /LC3)	kg	45 000 / 32 000 / 17 000
Lifting capacity (LC1 /LC2 /LC3) at max lifting height	kg	45 000 / 32 000 / 17 000
Load center (LC1 /LC2 /LC3)	mm	2 000 / 3 850 / 6 350
Lifting speed, unloaded / at 40% of rated load / at 70% of rated load	m/s	0,39 / 0,36 / 0,25
Lowering speed, unloaded / at rated load	m/s	0,35 / 0,40
DRIVING DATA		
Drive speed forward, unloaded / at rated load	km/h	24 / 21
Drive speed reverse, unloaded / at rated load	km/h	18 / 17
Incline (driving ability) at rated load at 0 km/h / at 2 km/h	%	35 / 22
Towing (power ability) at rated load at 0 km/h / at 2 km/h	kN	402 / 252
SERVICE WEIGHT / AXLE LOADS		
Service weight	kg	69 600
Axle loads front LC1, unloaded / at rated load	kg	34 700 / 99 400
Axle loads front LC2, unloaded / at rated load	kg	38 800 / 94 100
Axle loads front LC3, unloaded / at rated load	kg	44 300 / 80 300
Axle loads rear LC1, unloaded / at rated load	kg	34 900 / 15 200
Axle loads rear LC2, unloaded / at rated load	kg	30 800 / 7 500
Axle loads rear LC3, unloaded / at rated load	kg	25 300 / 6 300
Axle loads in driving position, front/rear (at rated load)	kg	87 800 / 26 800
ENGINE		
Engine make, model name		Cummins QSM-11-C335
Emission approval EU / US		Stage III / Tier 3
Monitoring / emission controlled / CanBus		Yes / yes / yes
Fuel / type of engine		Diesel / 4-stroke CI
Rated power ISO 3046 / max speed	kW / rpm	272 / 1 800
Rated torque ISO 3046 / at speed	Nm / rpm	1 674 / 1 000
Displacement / No. of cylinders / configuration	L //	10,8 / 6 / Inline
Fuel consumption, normal operations	L/h	15 - 18
Alternator, type / power / amperage	W / Amp	AC / 1 960 / 70
Starting battery, voltage / capacity	V / Ah	2 x 12 / 140
TRANSMISSION		
Transmission make, model name		DANA TE-30
Monitoring / reverse protection / CanBus		Yes / yes / yes
Clutch, type		Torque converter
Transmission type / type of shift gear		Softshift – Powershift / Automatic
No. of gears, forward / reverse		5/3
DRIVE AXLE & STEER SYSTEM		
Drive axle make, model name		Kessler D102
Drive axle type		Differential + hub reduction
Service brake, type / affected wheels		Oil cooled Wet Disc Brakes / drive wheels
Parking brake, type / affected wheels		Dry disc brake / spring applied / drive wheels
STEER AXLE & STEER SYSTEM		
Steer axle make / type		Konecranes / double acting single cylinder
Steering system		Hydraulic servo assisted / power steering
WHEELS		
Number of wheels, front+rear / Type (*driven)		4*+2 / pneumatic
Tire pressure front / rear	MPa	1,0 / 1,0
Tire dimensions (Ply rating) front / rear	Inch (No)	18.00 x 25" (PR 40) / 18.00 x 25" (PR 40)
Rim dimension front / rear	Inch	13.00 x 25" / 13.00 x 25"
HYDRAULIC SYSTEM		
Hydraulic pump make, model name		Parker P2-series
Hydraulic system / pump type		Load sensing system / variable axial piston pump
Power-on-demand / Low energy / Separate tanks		Yes / yes / yes (hydraulics & Brakes)
Hydraulic oil pressure boom / spreader	MPa	29 / 15
TANK VOLUMES		
Fuel tank volume	L	650
Hydraulic tank volume	L	850
LIFTING EQUIPMENT & SPREADER		
Spreader make / type		ELME 817-MPS / Toplift (container)
Spreader functions		20-40 ft containers
Spreader locking containers + trailer / lifting eyes		4 x top twist locks / 4x in the corners
Sideshift stroke / rotation / pile slope type (pile slope stroke)		±800 mm / +195 - 105 manual MPS (±2 deg)
OTHERS		
Noise level (inside Cab / Lm), DIN 45635	dB(A)	73*
Noise level (inside Cab/ LpAZ), EN 12053 (EU + EFTA only)	dB(A)	76
Maximum Noise level (outside Lwa), 2000/14/EC (EU + EFTA only)	LWA	109
Sliding cabin / stroke		Manual / 2 900 mm
NORMS & STANDARDS		
Stability of Industrial Trucks ISO 13562		Yes
Safety of Industrial Trucks EN ISO 3691-2		Yes

TECHNICAL DATA : LIFTACE 4532 TCE5



201021/ 1