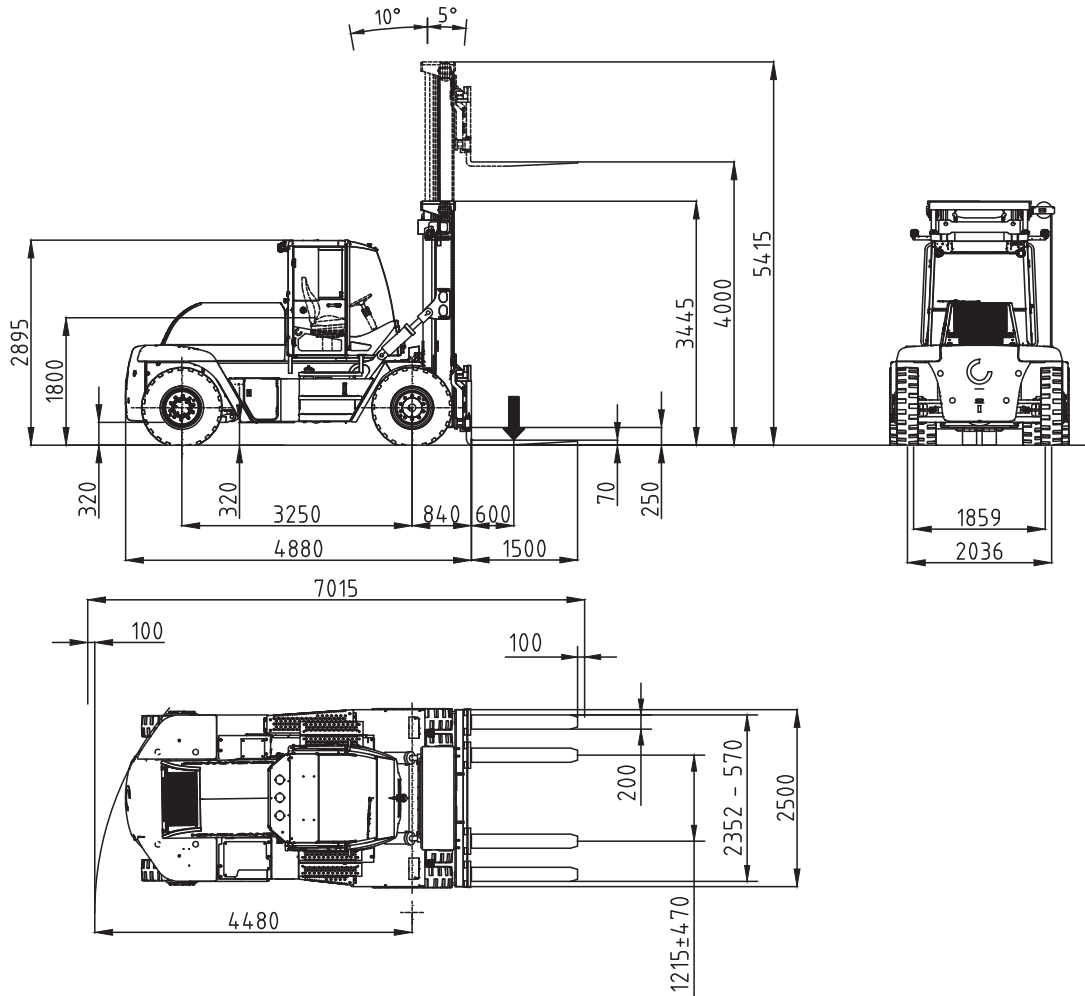


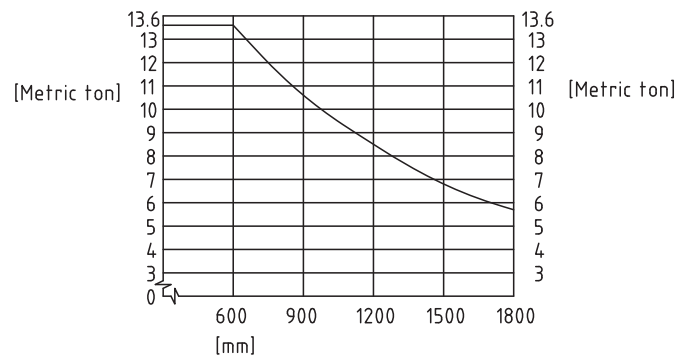
## TECHNICAL DATA : E-VER 13.6-600 C

Machine type		E-VER 13.6-600 C
<b>LOAD HANDLING DATA</b>		
Lifting capacity / Load centre distance	kg / mm	13 600 / 600
Maximum lifting speed, unloaded / at 70% of rated load	m/s	0,42 / 0,40
Maximum lowering speed, unloaded / at rated load	m/s	0,40 / 0,42
<b>DRIVING DATA</b>		
Drive speed forward, unloaded / at rated load	km/h	22 / 20
Drive speed reverse, unloaded / at rated load	km/h	22 / 20
Average energy consumption @ 8% energy recovery	kWh/h	15-22
Incline (driving ability) at rated load at 0-6 km/h / at 15 km/h	%	16 / 10
Towing (tractive ability) at rated load at 0-6 km/h / at 15 km/h	kN	47 / 28
<b>SERVICE MASS / AXLE LOADS</b>		
Service mass	kg	16 400
Axle load front, unloaded / at rated load	kg	8 500 / 28 100
Axle load rear, unloaded / at rated load	kg	7 900 / 1 900
<b>TRACTION MOTOR</b>		
Motor make		Kessler
Type / cooling		Direct drive Permanent magnet synchronous / water-glycol
Continuous power	kW	110
Continuous torque	Nm	310
<b>LOAD HANDLING MOTOR</b>		
Motor make		Parker
Type / cooling		Direct drive Permanent magnet synchronous / water-glycol
Continuous power	kW	77
<b>DRIVE AXLE &amp; BRAKING SYSTEM</b>		
Drive axle make / model name		Kessler / D81
Drive axle type		Mechanical differential
Service brake system, type / affected wheels		Re-generative traction motor braking, Oil cooled Wet Disc Brakes / drive wheels
Parking brake system / type / affected wheels		Dry disc brake / spring release / drive wheels
<b>STEER AXLE &amp; STEER SYSTEM</b>		
Steer axle make / type		Konecranes / double acting single cylinder
Parking brake, type / affected wheels		Hydraulic servo assisted, power steering
<b>STEER AXLE &amp; STEER SYSTEM</b>		
Steer axle make / type		Konecranes / double acting single cylinder
Steering system		Hydraulic servo assisted / power steering
<b>WHEELS</b>		
Number of wheels, front+rear / Type (*driven)		4*+2 / pneumatic
Tyre pressure front / rear	MPa	1,0 / 1,0
Tyre dimensions (Ply rating) front / rear	Inch (No)	11.00 x 20" (PR 20) / 11.00 x 20" (PR 20)
Rim dimension front / rear	Inch	8.00 x 20" / 8.00 x 20"
<b>HYDRAULIC SYSTEM</b>		
Hydraulic pump make, model name		Parker P2-series
Hydraulic system / pump type		Load sensing system / variable axial piston pump
Power-on-demand / Low energy		Yes / yes
Hydraulic oil pressure mast	MPa	19
<b>HIGH VOLTAGE BATTERY</b>		
Type / cooling		Li-ion / water-glycol
Rated capacity	Ah	264 (2x132)
Rated energy	kWh	184 (2x92)
Nominal voltage	V	697
Mass	kg	1226 (2x613)
Cooling / Heating / active		Water-glycol
Charging connection		CCS2, DC fast charging
<b>LIFTING EQUIPMENT</b>		
Lift mast model / mast type / design		Konecranes duplex standard / 2-stage / free visibility
Carriage make / model		Konecranes / Hydraulic integral roller type
Fork make / Model		Konecranes / Roller type
<b>OTHERS</b>		
Noise level (inside Cab / Lm) DIN 45635	dB(A)	67
Noise level (inside Cab/ LpAZ) EN 12053 (EU + EFTA only)	dB(A)	73
Maximum noise level, outside LWA 2000/14/EC (EU + EFTA only)	dB(A)	104
<b>NORMS &amp; STANDARDS</b>		
Stability of Industrial Trucks ISO 22915-2		Yes
Safety of Industrial Trucks EN ISO 3691-1 and ISO/TS 3691-7		Yes
Electrical/electronic requirements EN 1175:2020		Yes

## TECHNICAL DATA : E-VER 13.6-600 C



E-VER 13.6-600C



2104.06/1