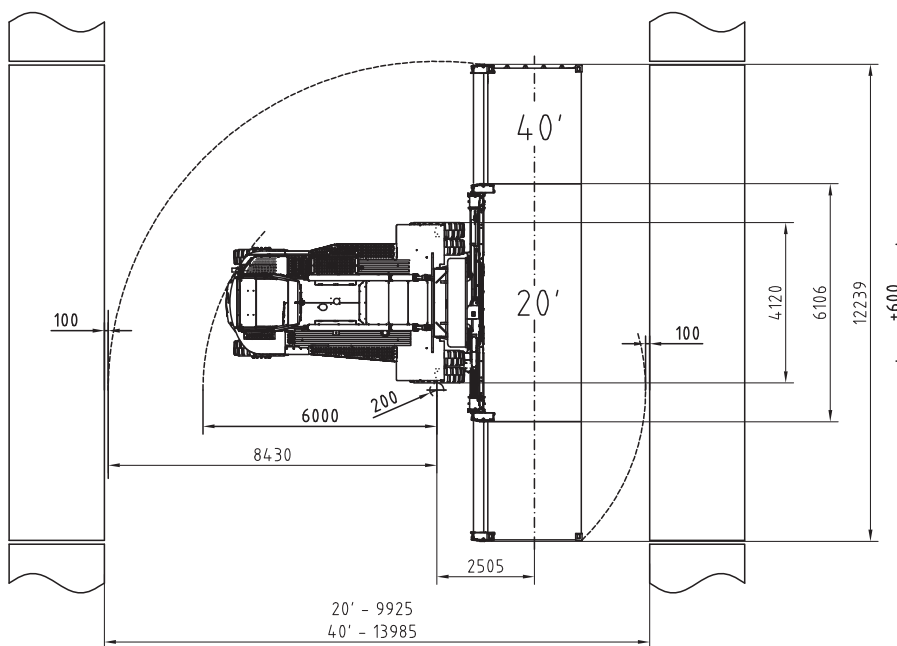
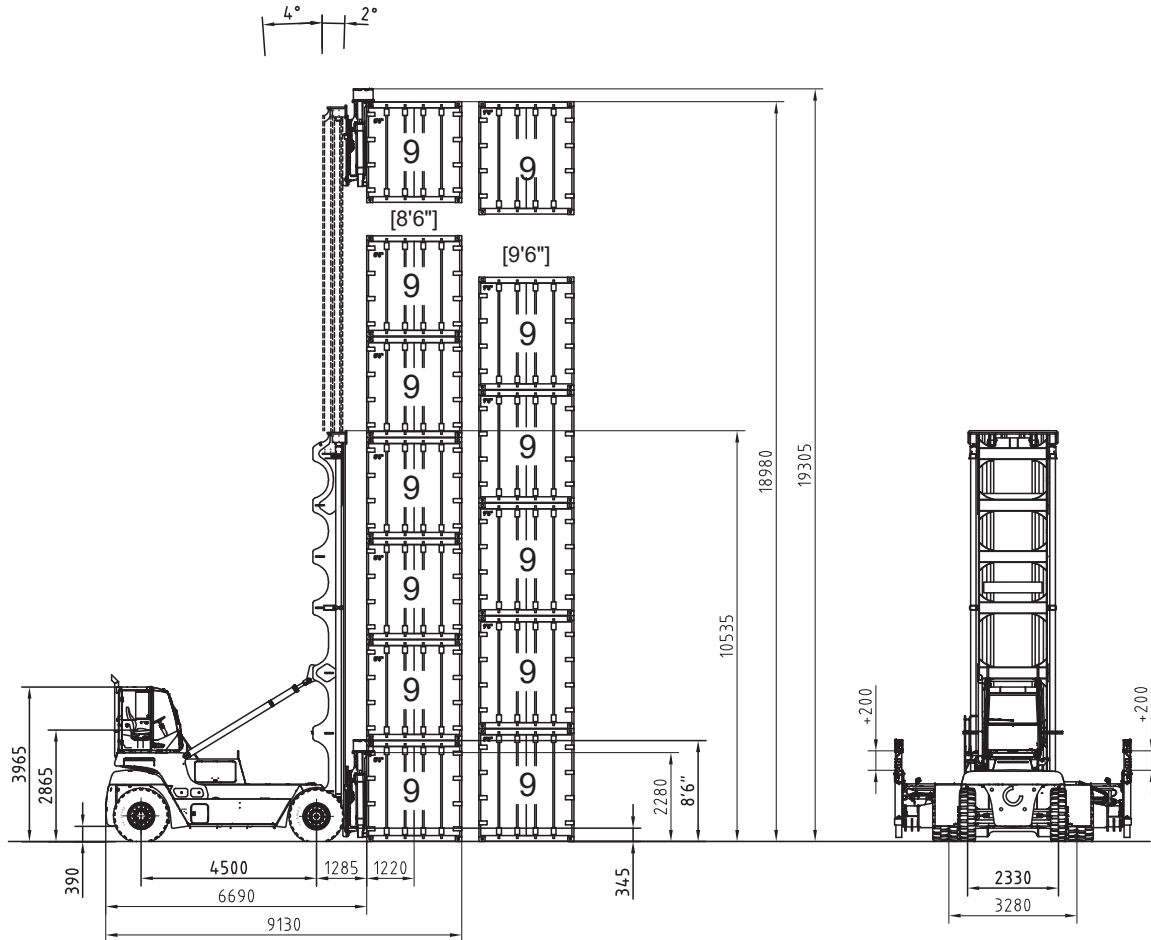


TECHNICAL DATA : SMV 6/7 ECC 90

Machine type		SMV 6/7 ECC 90
LOAD HANDLING DATA		
Lifting capacity / Load center distance	kg / mm	9 000 / 1 220
Stacking height (of 9'6" / 8'6" containers)		6 / 7
Maximum lifting speed, unloaded / at 70% of rated load	m/s	0,63 / 0,61
Maximum lowering speed, unloaded / at rated load	m/s	0,60 / 0,60
DRIVING DATA		
Drive speed forward, unloaded / at rated load	km/h	25 / 25
Drive speed reverse, unloaded / at rated load	km/h	25 / 25
Incline (driving ability) at rated load at 0 km/h / at 2 km/h	%	35 / 28
Towing (power ability) at rated load at 0 km/h / at 2 km/h	kN	162 / 134
SERVICE WEIGHT / AXLE LOADS		
Service weight	kg	38 400
Axle load front, unloaded / at rated load	kg	24 800 / 38 800
Axle load rear, unloaded / at rated load	kg	13 600 / 8 600
ENGINE		
Engine make, model name		Cummins QSB 6.7
Emission approval EU / US		Stage IIIA / Tier 3
Monitoring / emission controlled / CanBus		Yes / yes / yes
Fuel / type of engine		Diesel / 4-stroke CI
Rated power ISO 3046 / max speed	kW / rpm	179 / 2 000
Rated torque ISO 3046 / at speed	Nm / rpm	987 / 1 500
Displacement / No. of cylinders / configuration	L / /	6,7 / 6 / Inline
Fuel consumption, normal operations	L/h	10 – 12
Alternator, type / power / amperage	W / Amp	AC / 1 960 / 70
Starting battery, voltage / capacity	V / Ah	2 x 12 / 140
TRANSMISSION		
Transmission make, model name		DANA TE-17
Monitoring / reverse protection / CanBus		Yes / yes / yes
Clutch, type		Torque converter
Transmission type / type of shift gear		Softshift – Powershift / Automatic
No. of gears, forward/reverse		3/3
DRIVE AXLE & STEER SYSTEM		
Drive axle make, model name		Kessler D81
Drive axle type		Differential + hub reduction
Service brake, type / affected wheels		Oil cooled Wet Disc Brakes / drive wheels
Parking brake, type / affected wheels		Dry disc brake / spring applied / drive wheels
STEER AXLE & STEER SYSTEM		
Steer axle make / type		Konecranes / double acting single cylinder
Steering system		Hydraulic servo assisted / power steering
WHEELS		
Number of wheels, front+rear / Type (*driven)		4*+2 / pneumatic
Tire pressure front / rear	MPa	1,0 / 1,0
Tire dimensions (Ply rating) front / rear	Inch (No)	12.00 x 24" (PR 20) / 12.00 x 24" (PR 20)
Rim dimension front / rear	Inch	10.00 x 24"/HD / 10.00 x 24"/HD
HYDRAULIC SYSTEM		
Hydraulic pump make, model name		Parker P2-series
Hydraulic system / pump type		Load sensing system / variable axial piston pump
Power-on-demand / Low energy		Yes / yes
Hydraulic oil pressure boom / spreader	Mpa/Mpa	20,3 / 15,0
TANK VOLUMES		
Fuel tank volume	L	395
Hydraulic tank volume	L	410
LIFTING EQUIPMENT & SPREADER		
Lift mast model / mast type / design		Konecranes duplex standard / 2-stage / free visibility
Spreader make / model name		ELME 588TB
Spreader type / capacity		Sidelift telescopic / 20-40 ft containers
Spreader locking type / No. of containers		2 x top twist locks / 1
Sideshift stroke	Mm	+/-600
Pile slope type / pile slope stroke (side tilt)	/ Deg, mm	Mechanical MPS / 0 -200
OTHERS		
Noise level (inside Cab / Lm) DIN 45635	dB(A)	66
Noise level (inside Cab/ LpAZ) EN 12053 (EU + EFTA only)	dB(A)	72
NORMS & STANDARDS		
Stability of Industrial Trucks ISO 22915-9		Yes
Safety of Industrial Trucks EN ISO 3691-1		Yes

TECHNICAL DATA : SMV 6/7 ECC 90



200812 / 1

KONECRANES LIFTRUCKS AB
Box 103, SE-28523 Markaryd, SWEDEN

Data in this document is based on a standard machine, impact from modifications or customizations are not covered.
Konecranes Liftrucks reserve the right to alter design and specification without prior notice

www.kcliftrucks.com
Phone: +46-433-733 00