

LUX M11



KUBOTA Z482 | 2 CYL | 1500 RPM
LIQUID COOLED ENGINE



VERTICAL TELESCOPIC MAST
MAX HEIGHT | 9 m
LIFETIME WARRANTY



RATED OUTPUT | 3.5 kVA - 230V
OUTLET SOCKET | 1 kVA - 230V



FUEL CONSUMPTION | 0.55 l/h
RUNNING TIME | 145 h



MULTILED FLOODLIGHTS | 4X300 W
ILLUMINATED AREA | 4700 m²



340° MAST ROTATION
ADJUSTABLE FLOODLIGHTS
FOLDABLE ON SITE TOW TRAILER



GALVANIZED METAL BODY
80 µm POWDER COATING

LM SERIES



MADE IN
ITALY



LUX TOWER 
lighting towers

LM Series LUX M11

MADE IN
ITALY

TECHNICAL DATA

Rough dimensions & weight

Dimensions min.	mm	2390 X 1380 X 2640
Dimensions max.	mm	2390 X 2370 X 9000
Total weight without fuel	Kg	690

Features

Rotation		340°
Floodlight	W	4 X 300 W
Lamps		MultiLed
Wind stability	Km/h	80
Optional	LS version Kit [DSE3110 digital control + Light sensor] DSE401 with remote control and tracking Bounded tank	

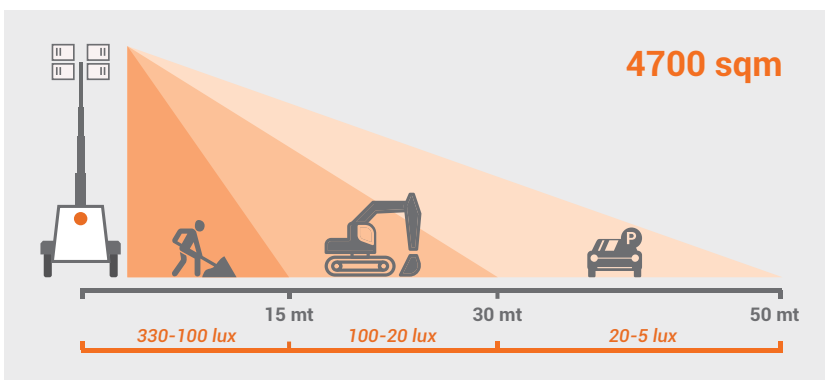
Alternator

Model	Synchronous Linz Alumen	
Frequency	Hz	50
Degree of protection	IP	23
Rated output	kVA/V	3.5 - 230
Outlet socket	kVA	1

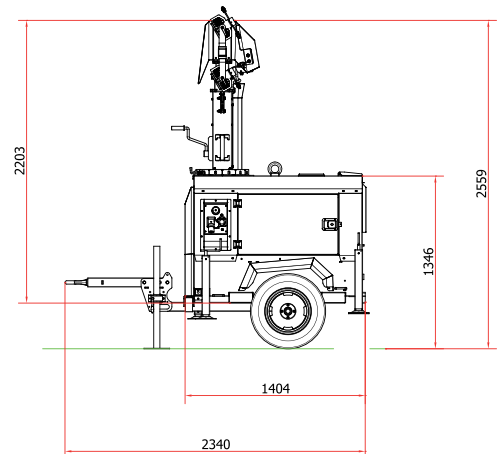
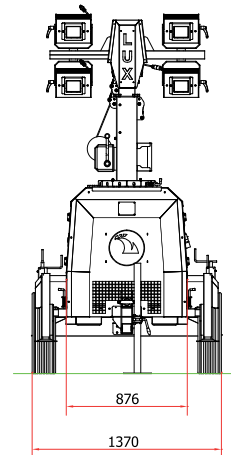
Engine

Model	Kubota Z482 2 cyl. liquid cooled	
Fuel	Diesel	
r.p.m.	1500	
Noise Level	db at 7 meters	65
Tank capacity	l	80
Running time	h	145
Fuel consumption	l/h	0.55

Illuminated Area // 5 lux min



**EUROPEAN MULTI
LED FLOODLIGHTS**
IP67 DEGREE OF PROTECTION



Load Delivery



40" HC Container 16 Units
20" Container 6 Units



Truck | **Assembled** 10 Units
Disassembled 18 Units

LUXTOWER
lighting towers

Luxtower: Via Strada Nuova, 28 - 27050 Codevilla (PV) ITALY | TLF. +39 0383 365544 | Fax +39 0383 49702

LUXTOWER ongoing policy is in continuous improvement. The company reserves the right to modify the technical specifications and items described in this catalogue at any time and without notice for technical or commercial reasons. Product images are shown for information only. LUXTOWER® - 2016© All rights reserved.